






Snap-In Glands without Thread, Polyamide

Polyamide cable glands, without thread

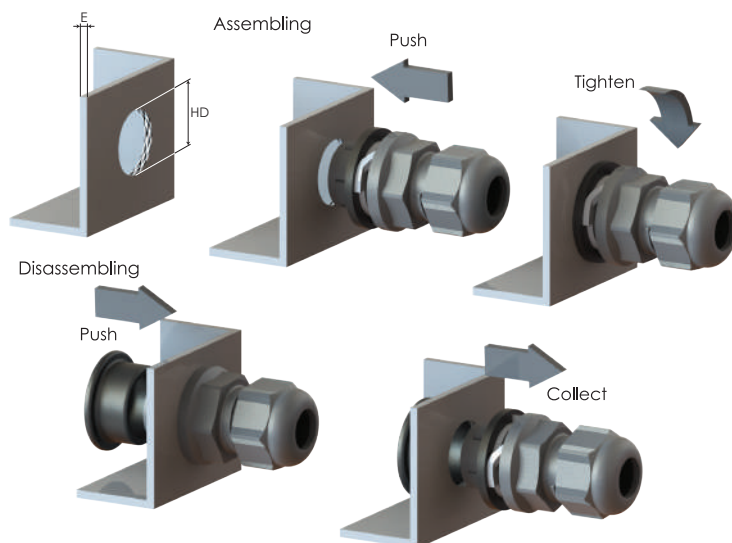
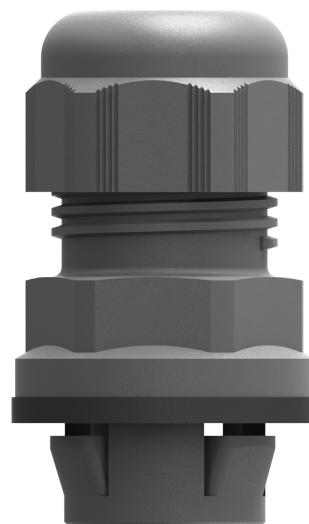
- Easy assembly; push cable gland and turn body clockwise.
- For wall thickness 0,5 mm to 4,0 mm.
- High quality strain relief and sealing, reliable performance for standard industrial applications.
- Easy disassembly (with separate tool).

Technical Details

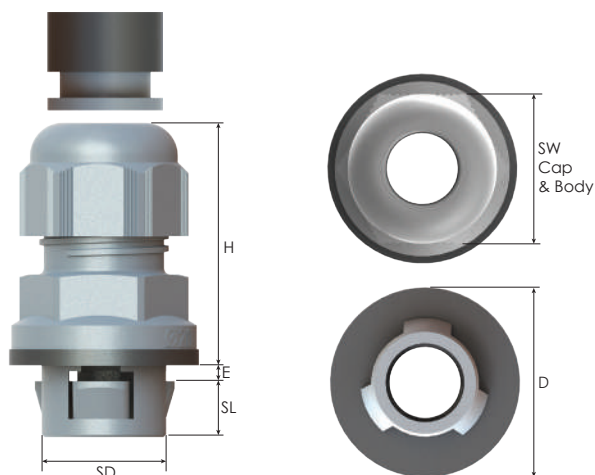
Material	Body, Cap	PA 6 (Polyamide 6)	
	Gasket	CR (Chloroprene)	
	Seal	CR (Chloroprene)	
Ingress Protection Rating	IP 68 - 5 Bar, 30 min IP 66		
Flammability	V2 according to UL94		
Operating Temperature	Permanent	-20 °C to +100 °C	Intermittent
			-30 °C to +150 °C
Cable Type	Non armoured		
Accessories	<ul style="list-style-type: none"> • Dome plugs • Reducing seals • Flat cable seals • Multihole seals • Disassembly tools (one piece included per Minimum Order Quantity) 		
	<ul style="list-style-type: none"> • Different Seal types available. • Manufactured according to DIN EN 62444/50262. • Accessories must be ordered separately. • Some approvals do not cover all sizes. • Other colours on request: RAL 5015 (blue) RAL 9003 (white) RAL 3020 (red) 		
Remarks			

Approvals	Certificate Number	Standards
	134171	DIN EN 62444
	115116_0_000	CSA C22.2
	E199260	UL514B CSA22.2 No 18.3-12 CSA22.2 No 94.2-15
TYPE 4X		UL50E
	SERCOVAM RES 107572	UL514B §8.26.7
	E-14046	EN62444

For more approvals: see our webpage.

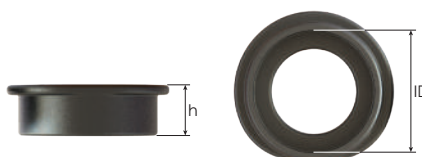
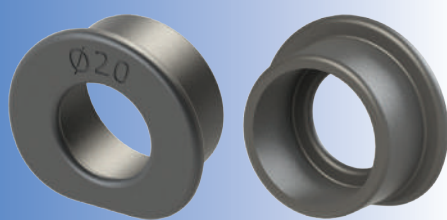


Snap-In Glands without Thread, Polyamide



wall thickness (E) : 0,5 - 4,0 mm

Snap Size	Clamping Range		Snap Length		Wall Hole Ø	Spanner Width		Outer Ø	max.Height	Part Number			Minimum Order Quantity
	Ø min-max mm	Seal Type	SL mm	SD mm		HD mm	SW Cap mm			SW Body mm	D mm	H mm	
16	3,0 - 10,0	Double	9,0	15,9	16,2 - 16,4	22	22	26,5	44,5	BMOS-DS-11	BMOS-DS-01	BMOS-DS-21	1000
	5,0 - 10,0	Single	9,0	15,9	16,2 - 16,4	22	22	26,5	44,5	BMOS-11	BMOS-01	BMOS-21	1000
20	5,0 - 12,0	Double	9,0	19,9	20,2 - 20,4	24	24	30,3	43,5	BMOS-DS-12	BMOS-DS-02	BMOS-DS-22	1000
	3,0 - 13,0	Double	9,0	19,9	20,2 - 20,4	25	25	30,3	43,5	BMOS-EU-DS-12	BMOS-EU-DS-02	BMOS-EU-DS-22	1000
	6,0 - 12,0	Single	9,0	19,9	20,2 - 20,4	24	24	30,3	43,5	BMOS-12	BMOS-02	BMOS-22	1000
	7,0 - 13,0	Single	9,0	19,9	20,2 - 20,4	25	25	30,3	43,5	BMOS-EU-12	BMOS-EU-02	BMOS-EU-22	1000
25	8,0 - 17,0	Double	9,0	24,9	25,2 - 25,4	29	29	36,3	45,5	BMOS-EU-DS-13	BMOS-EU-DS-03	BMOS-EU-DS-23	500
	11,0 - 17,0	Single	9,0	24,9	25,2 - 25,4	29	29	36,3	45,5	BMOS-EU-13	BMOS-EU-03	BMOS-EU-23	500
32	11,0 - 21,0	Double	9,0	31,9	32,2 - 32,4	36	36	43,2	51,5	BMOS-EU-DS-14	BMOS-EU-DS-04	BMOS-EU-DS-24	500
	15,0 - 21,0	Single	9,0	31,9	32,2 - 32,4	36	36	43,2	51,5	BMOS-EU-14	BMOS-EU-04	BMOS-EU-24	500
40	16,0 - 28,0	Double	13,2	39,9	40,2 - 40,4	46	46	55,2	58,0	BMOS-EU-DS-15	BMOS-EU-DS-05	BMOS-EU-DS-25	250
	19,0 - 28,0	Single	13,2	39,9	40,2 - 40,4	46	46	55,2	58,0	BMOS-EU-15	BMOS-EU-05	BMOS-EU-25	250



Tool to disassemble Snap-In Glands

Technical Details

Material Plastic

For Gland Size	Inner Ø	Height	Part Number
	ID mm	h mm	
16	16,0	13,0	BEX-16
20	20,0	13,0	BEX-20
25	25,0	13,0	BEX-25
32	32,0	13,0	BEX-32
40	40,0	15,5	BEX-40